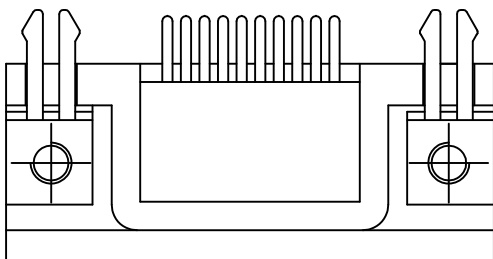
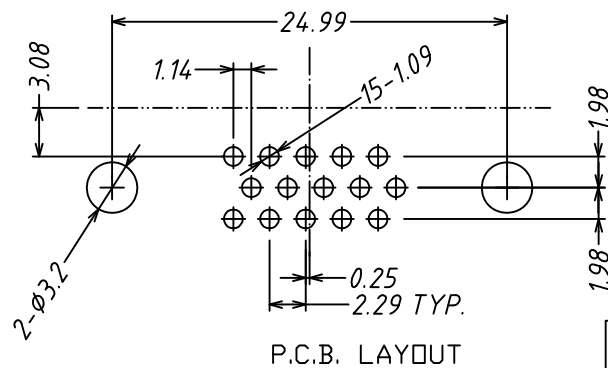
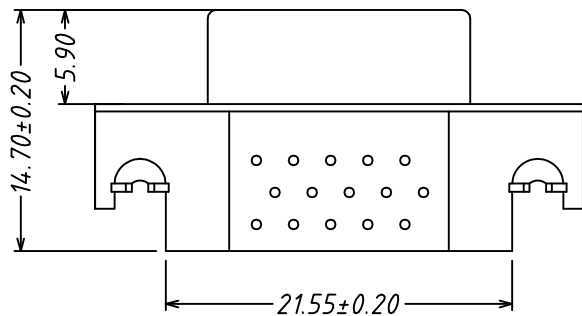
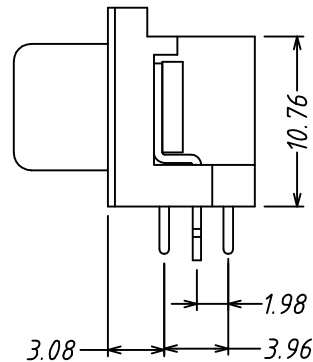
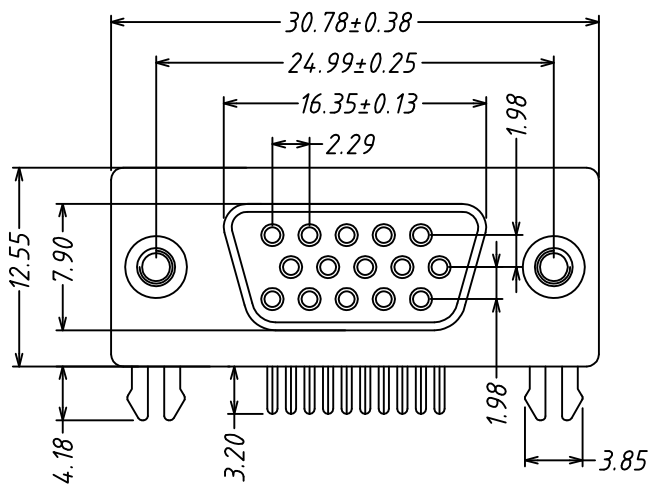


REV	ECN NO.	APP.	DATE
A	NEW DESIGN		

CUSTOMER COPY



SPECIFICATIONS:

ELECTRICAL SPECIFICATION

Contact Current Rating: 3 Amperes

Dielectric Withstanding Voltage:

AC 1000/60ses.r.m.s.

Insulation Resistance:

5000 Megohms MINMUM at DC 500V

Contact Resistance:25 MilliOhms Maximum

Operating Tempetature:-55°c__+105°c

MECHANICAL CHATACTERISTICS:

Contact Insertion Force: 300gfMax

Contact Separation Force;25gf Min

MATERIALS:

Contacts:Brass

Insulator:PBT+30%(UL94V-0)

Shell:Steel

		ACME LUX CO., LTD.	
		TEL:886-85124595 FAX:886-85124322	
0.0± 0.30	SCALE:	TITLE: D-SUB H/D 3.08 15母鉚合	PART NO:
0.00± 0.20			APP BY: HUNG
0.000±			UNIT: MM
		MATL: ROHS PC99藍	CHK BY: CHERYL
		DWG. NO. C1459721152	DR BY: ADER A209