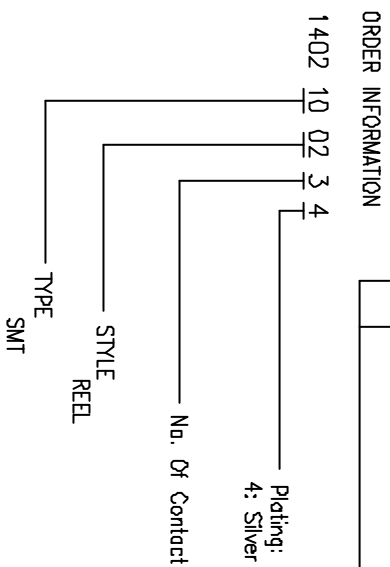
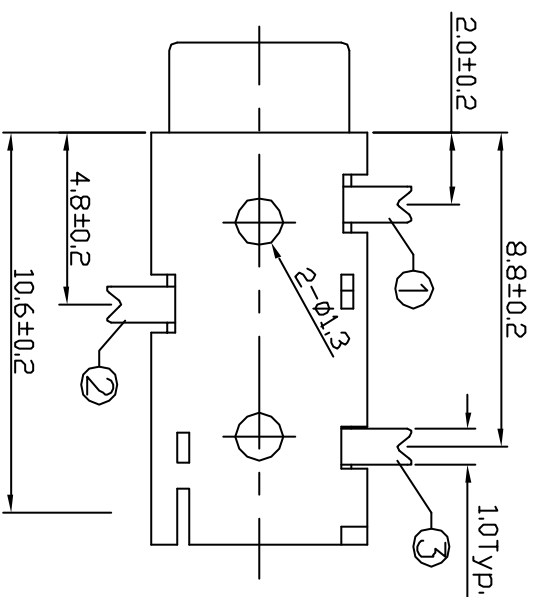
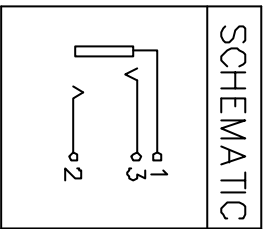
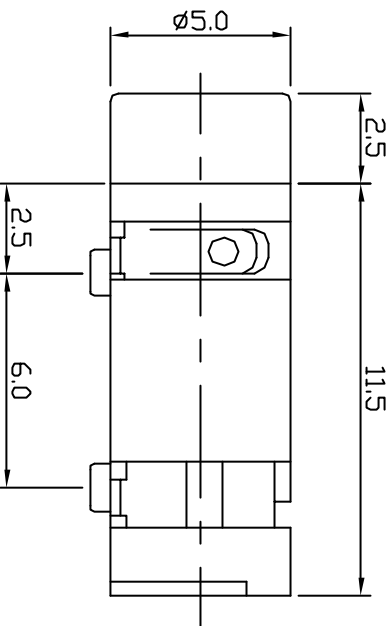
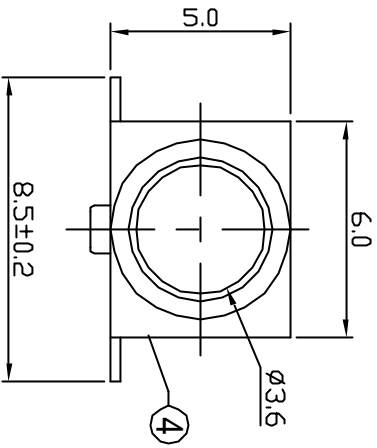
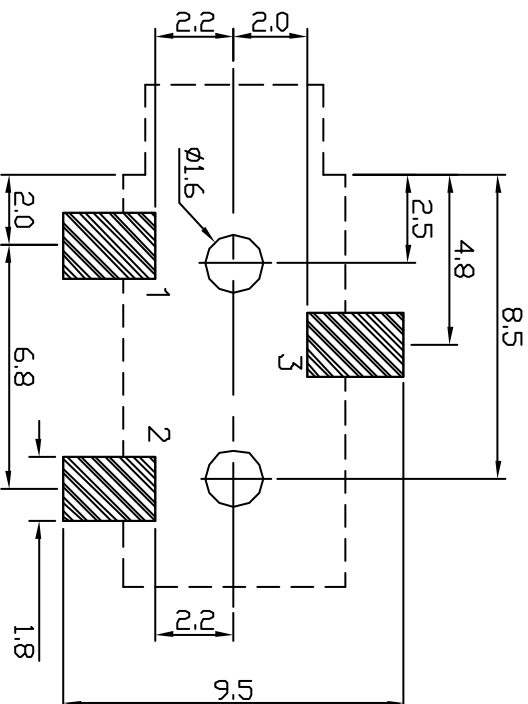


**CUSTOMER COPY**



REV	ECN NO.	APP.	DATE
A	NEW DESIGN		



T:1.6 Dimensions of PC board holes

4	HOUSING	1	PA46		
3	SPRING	1	Be-Cu	MB:Cu	Ag(Au) PLATED
2	CONTACT FOOT	1	PHOSPHOR BRONZE	MB:Cu	Ag(Au) PLATED
1	CONTACT FOOT	1	PHOSPHOR BRONZE	MB:Cu	Ag(Au) PLATED
LTR	PART NAME	QTY	MATERIAL	REMARK	



**ACMELUX CO., LTD.**

TEL:886-85124595 FAX:886-85124322

D.0± 0.30 SCALE:

D.00± 0.20 UNIT: MM

D.000± UNIT: MM

TITLE:

MINIATURE JACK

PART NO.:

APP BY:

CHK BY:

MATL:

DWG. NO. C1402100234

DR BY: J.C

A243



DWG. NO. C1402100234

DR BY: J.C

A243