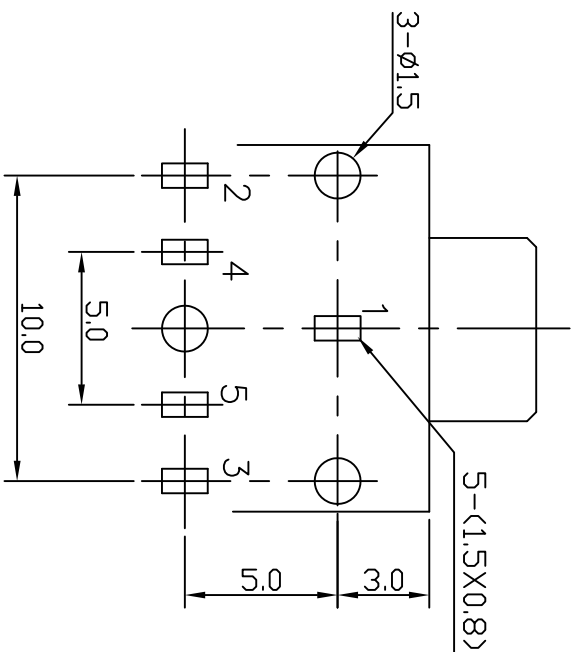
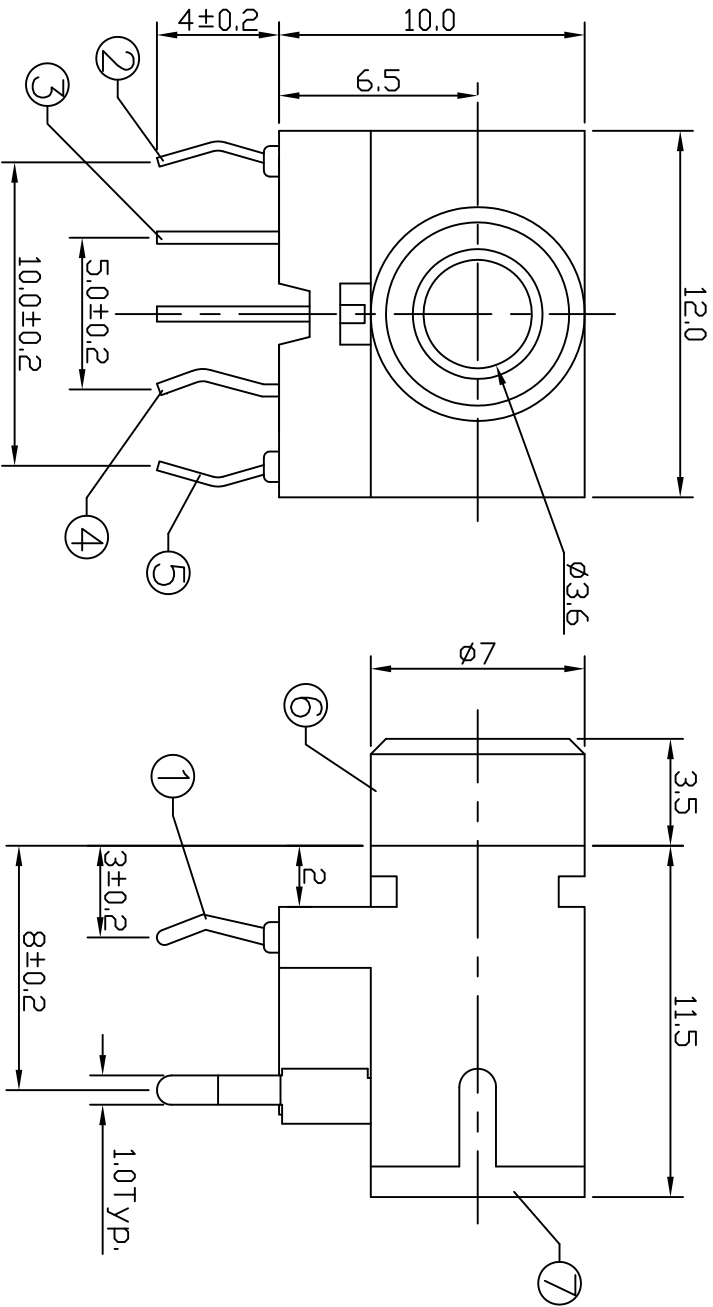
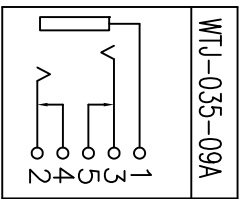


CUSTOMER COPY



Tolerance :  $\pm 0.1$  (Printed-top view)



ORDER INFORMATION  
1402 00 XX 5 X

4:Plating Silver  
No. of Contact  
51:Black (RoHS)  
54:Blue (RoHS)  
Style

LTR	PART NAME	QTY	MATERIAL	REMARK
7	COVER	1	PBT 4815	UL-94V0
6	HOUSING	1	PBT 4815	UL-94V0
5	5# CONTACT FOOT	1	C5191	MB:Cu Ag PLATED
4	4# CONTACT FOOT	1	C2680	MB:Cu Ag PLATED
3	3# CONTACT FOOT	1	C2680	MB:Cu Ag PLATED
2	2# CONTACT FOOT	1	C5191	MB:Cu Ag PLATED
1	1# CONTACT FOOT	1	C2680	MB:Cu Ag PLATED



鈺滿榮企業股份有限公司 ACME LUX CO., LTD.  
TEL:886-2-85124595 FAX:886-2-85124322

SCALE:	TITLE:	PART NO.:
0.0±0.30	Miniature Jack Connector	
0.00±0.20		
0.000±0.1		

MATL:	CHK BY:	DR BY:
RoHS	Shung	Amos
	Cheryl	

DWG. NO. C140200XX5X  
A243