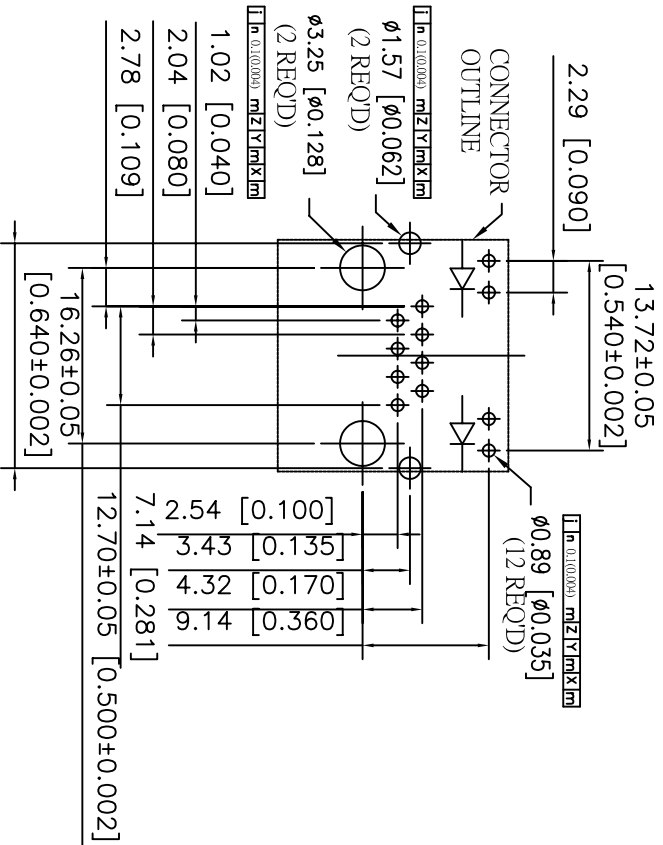
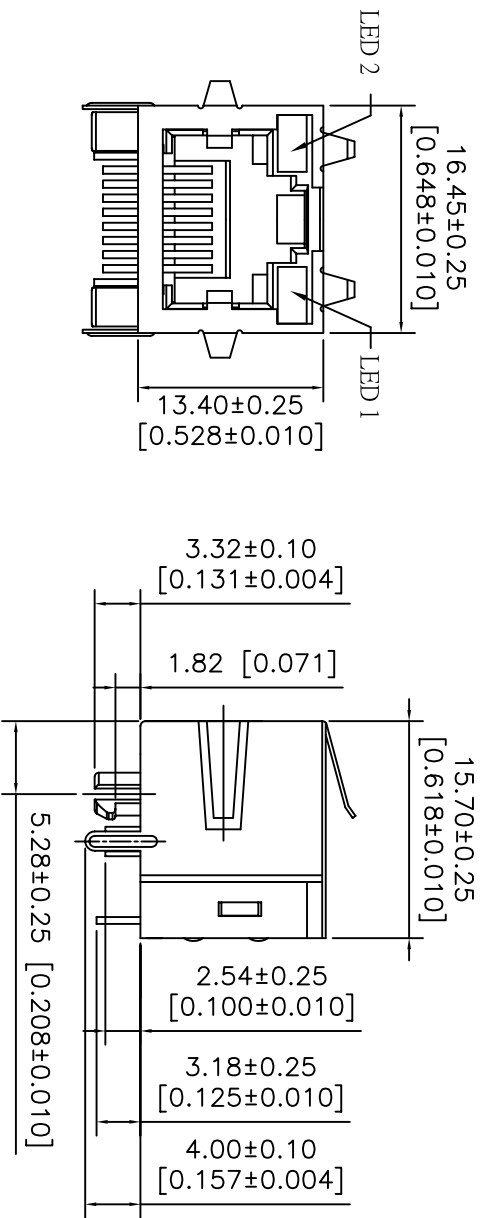


CUSTOMER COPY



SUGGESTED PCB LAYOUT

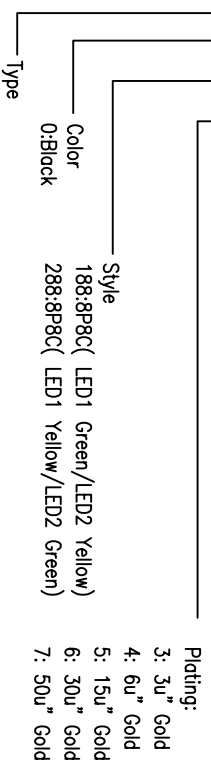
LED Color Options Table

LED Color Options	Position (Left)	Position (Right)	LED DASH OPTION
No LED	No LED	No LED	0
Yellow	Green	Green	1
No LED	Green	No LED	2
Yellow	Yellow	Yellow	3
Green	Green	Green	4
Yellow	Yellow	Yellow	5
Orange/Green	Orange/Green	Orange/Green	6
Yellow/Green	Yellow/Green	Yellow/Green	7
Orange/Green	Yellow	Yellow	8
Orange/Green	Yellow	Yellow	9

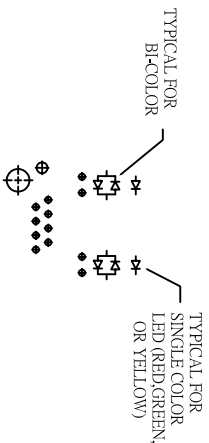
ORDER INFORMATION

REV	ECN NO.	APP.	DATE
A	NEW DESIGN		

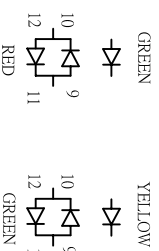
1300 1 X XXX X



1. MATERIALS:  
 HOUSING: HIGH TEMP. THERMOPLASTIC, BLACK, UL 94V-0  
 CONTACTS: 0.014 INCHES (0.35 MILLIMETERS) THICK PHOSPHOR BRONZE PLATED WITH 150 MICRONS (3.81 MICROMETERS) MINIMUM THICK TIN LEAD IN SOLDER AREA, 15 MICRONS (0.38 MICROMETERS) MINIMUM GOLD IN LOCALIZED PLATE AREA.  
 ENTIRE CONTACTS PLATED WITH 50 MICRONS (1.27 MICROMETERS) MINIMUM THICK NICKEL.  
 SHIELDED: 0.0098 INCHES (0.25 MILLIMETERS) THICK COPPER ZINC ALLOY PLATED WITH 30 MICRONS (0.762 MICROMETERS) MINIMUM THICK NICKEL.  
 2. JACK CAVITY CONFORMS TO FCC RULES AND REGULATIONS PART 68, SUBPART F



LED SCHEMATIC

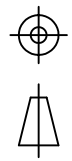


BICOLOR LED DETAIL  
 (RED, RED/YELLOW, GREEN/ORANGE  
 LEADS ARE ALSO AVAILABLE)



ACMELUX CO., LTD.  
 TEL: 886-85124595 FAX: 886-85124322

0.01	SCALE:	TITLE:	PART NO:
0.001	UNIT:	SIDE ENTRY LED	
0.0001	MM	PCB JACK (SHIELDED 8P8C)	APP BY:



MATL:	CHK BY:
DWG. NO. C13001XX88X	DR BY: JC