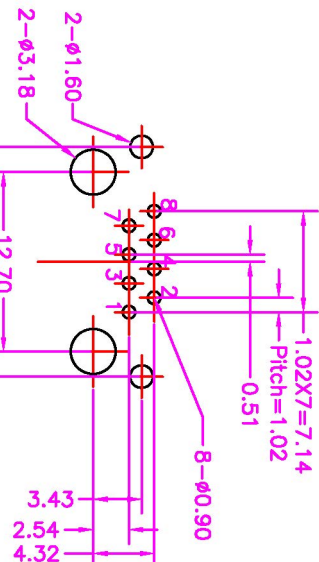
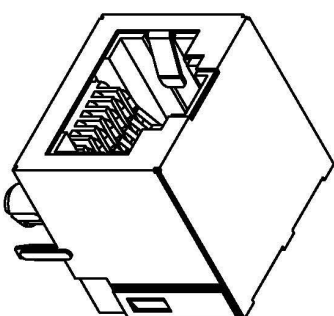
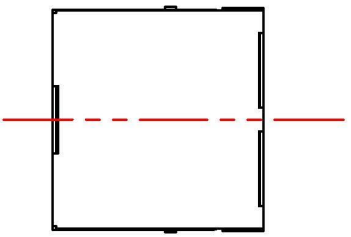


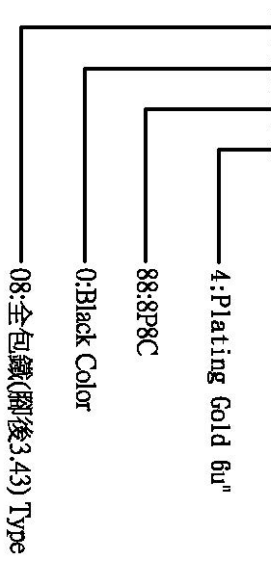
CUSTOMER COPY



TOLERANCE:  $\pm 0.05$  THICKNESS: 1.50~1.60mm  
RECOMMENDED PCB LAYOUT/ Top View

ORDER INFORMATION

1273 08 0 88 4



Material

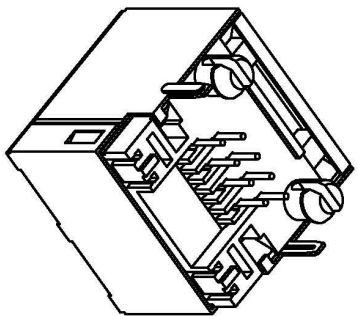
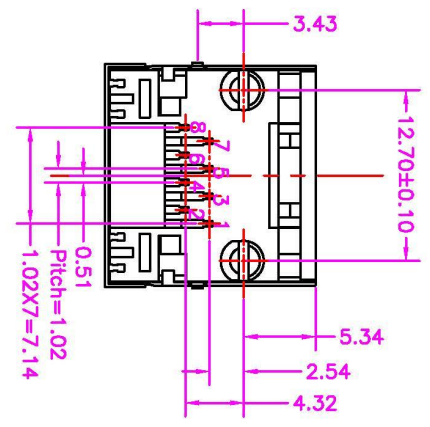
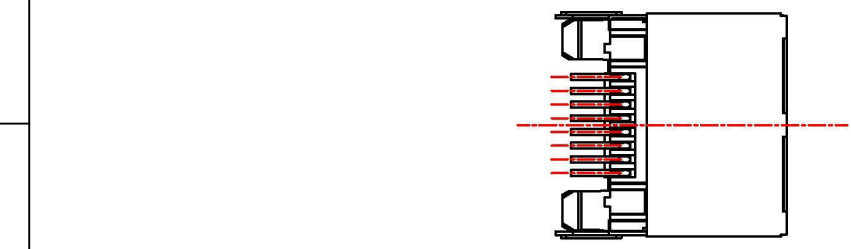
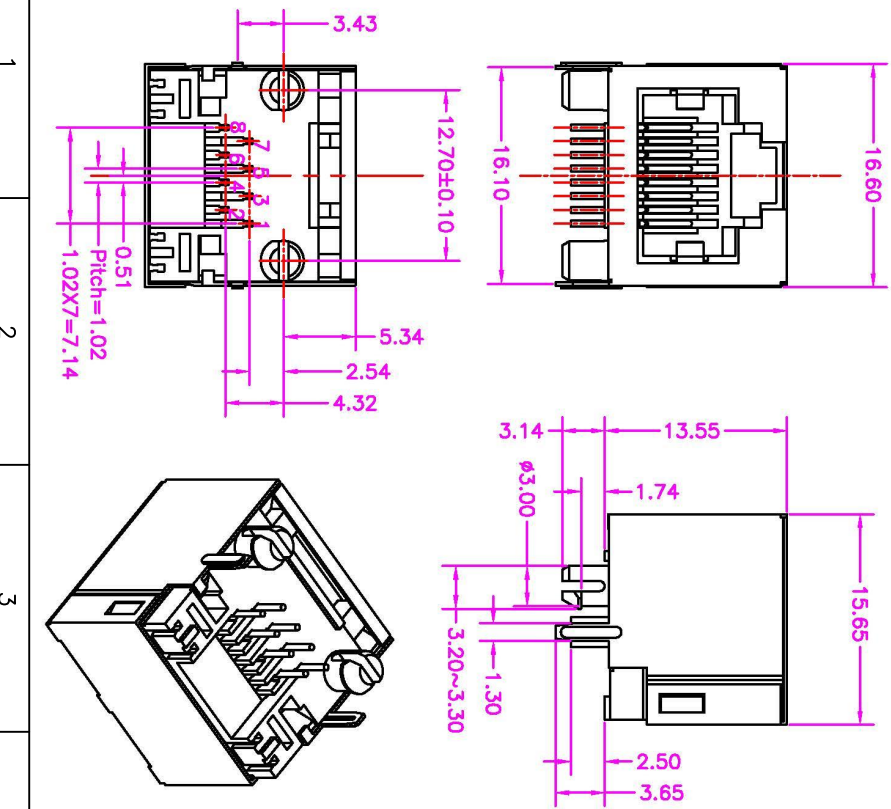
Housing : See Part NO.  
Terminal : 0.45 $\pm$ 0.10mm Round Pin Phos-Bronze  
Shell : 0.25 $\pm$ 0.10mm Thickness Brass.

Finish


Contact: All Terminal Plated (See Part NO. "u")  
Shell : 50u" Min Nickel Plated Overall.

Specification:

Mating: AC 125V 1.5A.  
Contact resistance  $\leq 60m \Omega$ .  
After test:  $\leq 60m \Omega$ .  
Insulation resistance: (DC 500V)  
500M  $\Omega$ .  
After test:  $\geq 200M \Omega$ .  
Withstanding voltage: 500V AC.  
Mating force: 25N Max.  
Life test: 1000 cycles Min.  
Lead Soldering Temperature  
Housing Material PBT = 220 $\pm$ 5°  
Housing Material 9T = 260 $\pm$ 5° 10s



REV.	DESCRIPTION	APP.	DATE
A	NEW DESIGN	Amos	2014-03-12


 钰满荣企业股份有限公司 ACMELUX CO., LTD.  
 TEL: 886-2-85124595 FAX: 886-2-85124322

0.0 $\pm$ 0.50	SCALE: 1:1	TITLE:	PART NO:
0.00 $\pm$ 0.30	UNIT: mm	DIP Side Entry Type	APP BY: Hungl
0.000 $\pm$ 0.15		R145 Connector	CHK BY: Cheryl
		MATL: RoHS	DR BY: Amos
		DWG. NO. C1273080884	