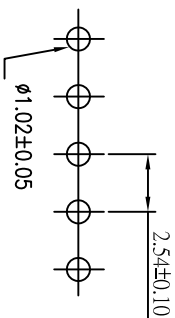
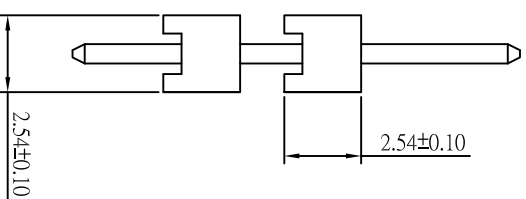
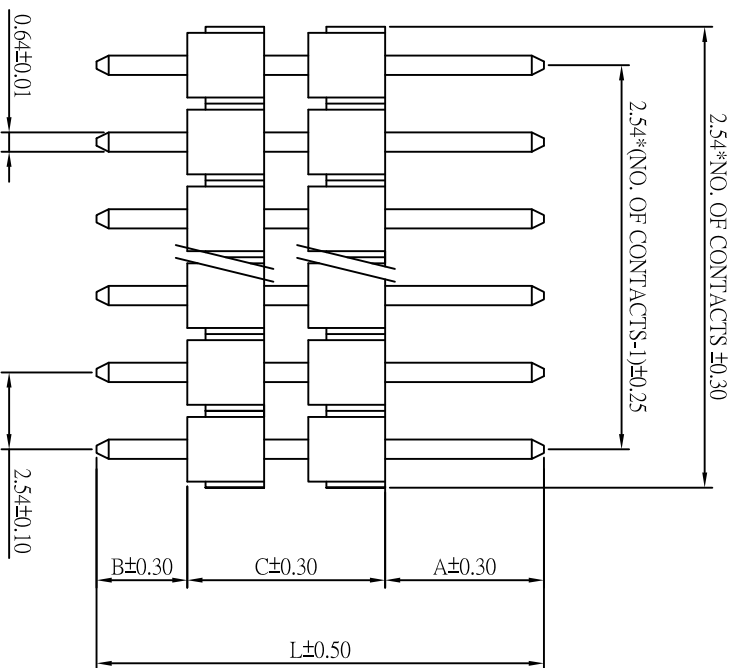


CUSTOMER COPY



Recommended P.C. Board Hole Layout



REV.	DESCRIPTION	APP.	DATE
A	NEW DESIGN		

ORDER INFORMATION

114 52 XX XX X

Plating:
3: All Gold
No. Of Contacts
(02 ~ 40)

Type
Pin chart

SPECIFICATION MATERIAL

- * Current Rating: 3 A
- * Withstanding Voltage: 800 VAC (1 min.)
- * Insulation Resistance: 1000 Megohms min.
- * Contact Resistance: 30 Milliohms max.
- * Operating Temperature: -40°C to +85°C
- * Retention Force: 750g MIN.
- * Contact: Brass,
- * Insulator: PBT & 30% G.F.
- * Plating: Gold



Pin Chart

No.	A	B	C	L	No.	A	B	C	L	No.	A	B	C	L	No.	A	B	C	L
00	6.00	3.00	10.00	19.00	09	3.00	3.00	15.00	21.00	18	5.50	3.00	16.50	25.00	27	3.00	3.00	9.50	15.50
01	5.90	2.90	6.50	15.30	10	3.00	3.00	20.00	26.00	19	3.50	3.00	5.10	11.60	28	6.00	3.00	9.00	18.00
02	3.00	3.00	10.00	16.00	11	6.00	3.00	12.60	21.60	20	3.00	2.00	10.00	15.00	29	9.00	3.00	6.00	18.00
03	3.00	3.00	8.00	14.00	12	6.00	3.00	5.08	14.08	21	3.00	5.00	9.70	17.70	30	16.5	3.40	5.10	25.00
04	2.25	2.25	6.50	11.00	13	6.00	3.00	16.00	25.00	22	7.50	7.50	23.00	38.00	31	4.00	2.40	11.00	17.40
05	6.00	3.00	7.00	16.00	14	2.50	2.50	15.00	20.00	23	3.00	3.00	5.00	11.00	32	3.00	3.00	7.00	13.00
06	3.30	3.30	7.90	14.50	15	7.00	3.00	9.00	19.00	24	2.90	2.00	6.70	11.60	33				
07	3.30	3.30	9.40	16.00	16	19.00	11.00	5.00	35.00	25	11.5	3.00	9.50	24.00	34				
08	3.00	3.00	26.00	32.00	17	5.00	3.00	9.00	17.00	26	6.00	3.00	15.00	24.00	35				

(塑高1.7mm)



钰满荣企业股份有限公司 ACMELUX CO., LTD.

TEL:886-2-85124595

FAX:886-2-85124322

0.0±0.30	SCALE: 1:1	TITLE: Pitch 2.54mm (.100")	PART NO: 111500
0.00±0.20	UNIT: mm	Double Base Single Row	APP BY: Hung
0.000±0.1		Center Pin Header Connector	CHK BY: Cheryl



MATL: RoHS
DWG. NO. C11452XXXXX
DR BY: Amos