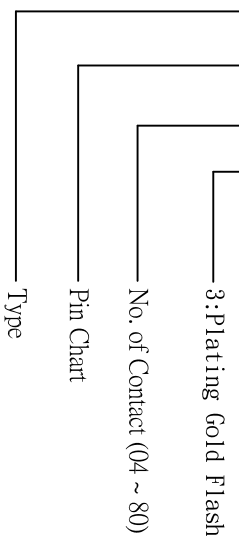


# CUSTOMER COPY

ORDER INFORMATION  
113 64 XX XX 3



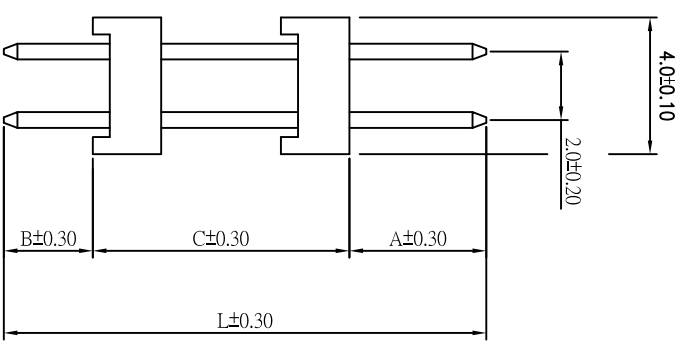
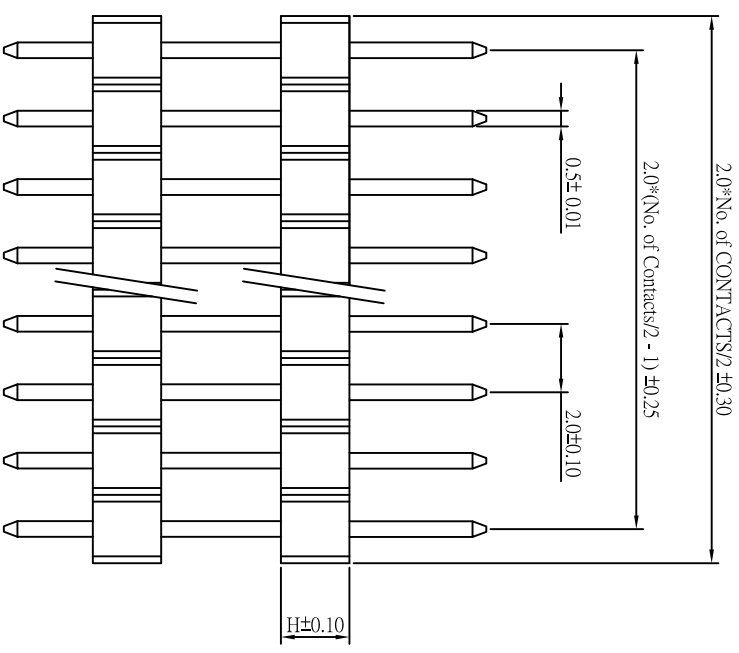
REV.	DESCRIPTION	APP.	DATE
A	NEW DESIGN	Amos	2010-05-10

## SPECIFICATION

## MATERIAL

- \* Current Rating: 1 A
- \* Withstanding Voltage: 600 VAC ( 1 min. )
- \* Insulation Resistance: 1000 Megohms MIN.
- \* Contact Resistance: 30 Milliohms MAX.
- \* Operating Temperature: -40°C to +85°C
- \* Retention Force: 600g MIN.
- \* Contact: BRASS
- \* Insulator: GLASS FIBER POLYESTER UL94V-0
- \* Plating: All Gold

Recommended P.C. Board Hole Layout

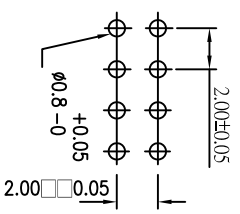


Pin Chart

No.	H	A	B	C	L
00	2.0	5.00	2.50	15.00	22.50
01	2.0	4.00	2.80	9.60	16.40
02	2.0	4.00	2.50	11.00	17.50
03	2.0	6.00	2.80	6.60	15.40
04	2.0	3.00	3.00	9.00	15.00
05	2.0	6.00	2.80	7.00	15.80
06	2.0	2.50	2.50	5.70	10.70
07	2.0	3.80	2.70	11.8	18.30
08	2.0	3.50	3.50	8.00	15.00
09	2.0	3.50	3.00	12.50	19.00

No.	H	A	B	C	L
10	2.0	2.50	2.50	4.00	9.00
11	2.0	4.00	3.00	11.00	18.00
12	2.0	5.00	3.00	7.00	15.00
13	2.0	5.00	3.00	10.00	18.00
14	2.0	3.50	2.40	6.00	11.90
15	2.0	3.00	3.00	13.00	19.00
16	2.0	2.80	5.00	8.00	15.80
17	1.5	4.50	3.00	3.00	10.50
18	2.0	3.50	3.50	4.00	11.00
19	2.0	4.00	2.80	20.40	27.20

No.	H	A	B	C	L
20	2.0	3.20	2.50	11.30	17.00
21	2.0	4.00	2.50	15.00	21.50
22	2.0	3.50	2.50	9.60	15.60
23	2.0	4.00	2.80	4.00	10.80
24	2.0	4.00	2.80	16.50	23.30
25	2.0	4.00	2.50	28.50	35.00
26	2.0	3.70	3.00	9.00	15.70
27	2.0	4.00	3.00	11.50	18.50
28	2.0	5.60	2.40	7.20	15.20



钰满荣企业股份有限公司 ACMELEX CO., LTD.

TEL:886-2-85124595 FAX:886-2-85124322

0.0±0.30	SCALE: 1:1	TITLE: 2.00X2.00MM (.079"*.079") PIN	PART NO:
0.00±0.20	UNIT: mm	HEADER Double Base Barel Row	APP BY: Hung
0.000±0.1			CHK BY: Cheryl
			DR BY: Amos
			DWG. NO. C11364XXXXX3