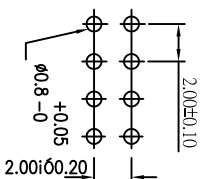
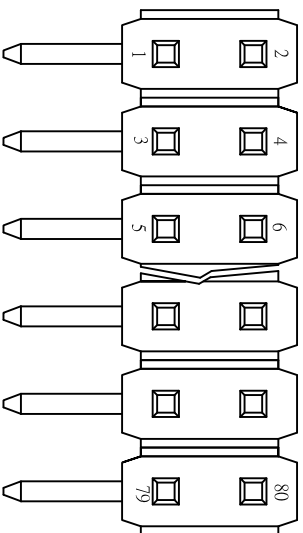


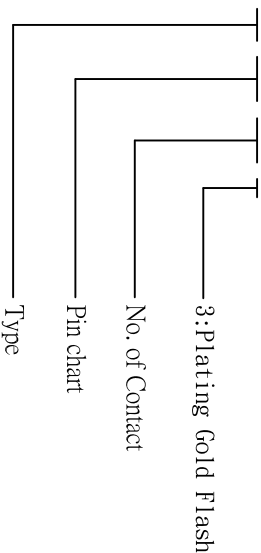
CUSTOMER COPY



Recommended P.C. Board Hole Layout

ORDER INFORMATION

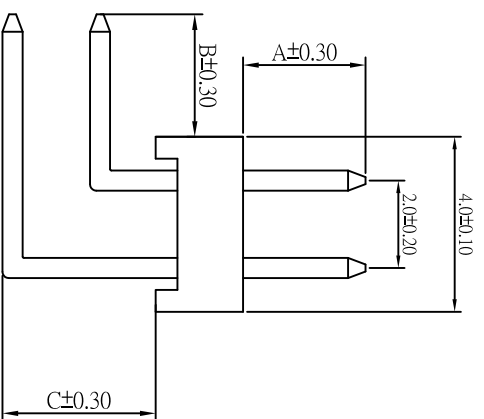
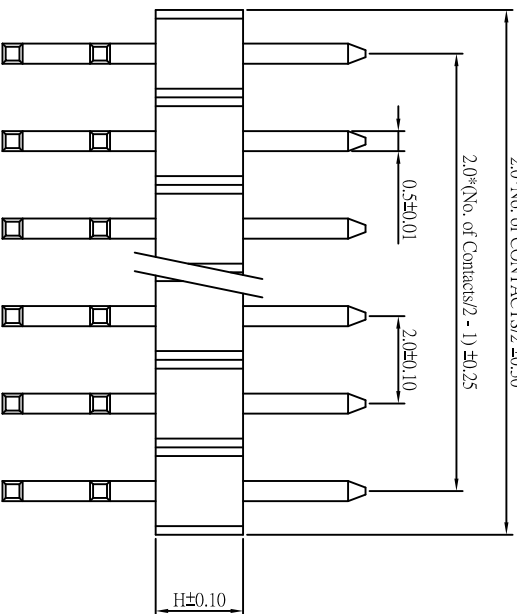
113 26 XX XX X



REV.	DESCRIPTION	APP.	DATE
A	NEW DESIGN	Amos	2013-01-09

2.0*(No. of CONTACTS)/2 ±0.50

2.0*(No. of Contacts/2 - 1) ±0.25



SPECIFICATION

- * Current Rating: 1 A
- * Withstanding Voltage: 600 VAC (1 min.)
- * Insulation Resistance: 1000 Megohms MIN.
- * Contact Resistance: 30 Milliohms MAX.
- * Operating Temperature: -40°C to +85°C
- * Retention Force 600g MIN.

MATERIAL

- * Contact: BRASS
- * Insulator: PBT & 30% G.F. OR Nylon 6T
- * Plating: All Gold

Pin Chart

No.	A	B	C	H	NC PIN
00	5.00	2.00	4.00	2.00	P5,6,26
01	4.00	2.80	4.00	2.00	P14
02	3.90	2.80	3.40	2.00	P3,4
03	4.00	2.80	4.00	2.00	P1
04	3.90	2.80	3.40	2.00	P3,4,11,12
05	4.00	2.00	4.00	2.00	P2

No.	A	B	C	H	NC PIN
06	4.00	2.80	4.00	2.00	P9
07	4.00	2.80	4.00	2.00	P8
08	4.00	2.80	4.00	2.00	P2



钰满荣企业股份有限公司 ACME LUX CO., LTD.

TEL:886-2-85124595

FAX:886-2-85124322

0.0±0.30	SCALE: 1:1	TITLE:	PART NO:
0.00±0.20	UNIT: mm	Pitch 2.00X2.00mm(.079"*.079")	APP BY: Hung
0.000±0.1		Dual Row NC Pin Pin Header	CHK BY: Cheryl

	MAT: RoHS (PBT)	DR BY: Amos
DWG. NO. C11326XXXXXX		



A021