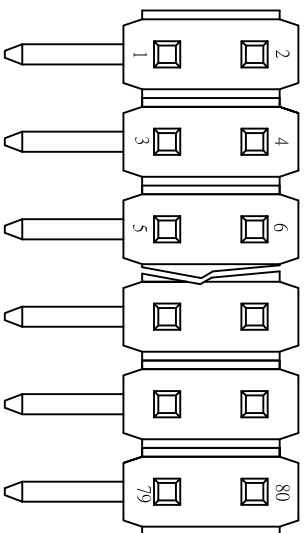
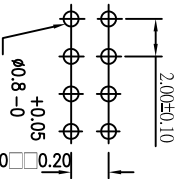


CUSTOMER COPY

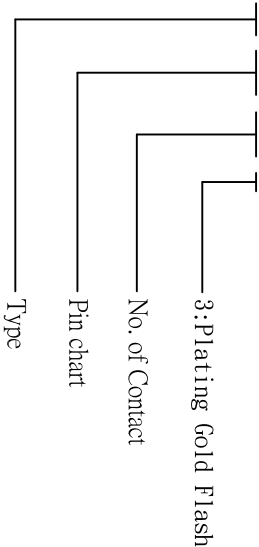


Recommended P.C. Board Hole Layout

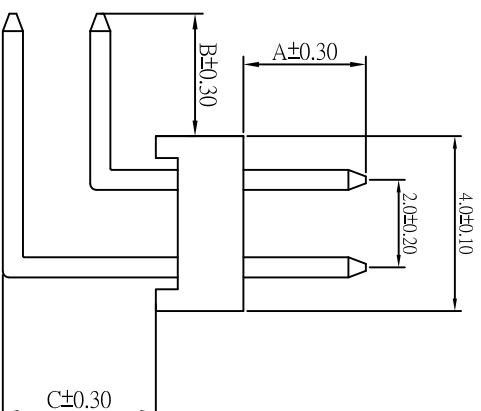
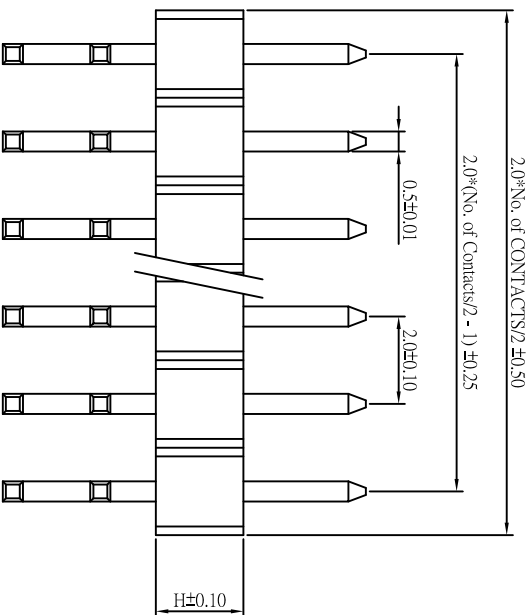


ORDER INFORMATION

113 24 XX XX X



REV.	DESCRIPTION	APP.	DATE
A	NEW DESIGN	Amos	2013-01-09



Pin Chart

No.	A	B	C	H
00	4.00	2.80	4.00	2.00
01	3.90	3.00	3.20	2.00
02	3.90	2.80	3.40	2.00
03	4.00	2.80	3.25	2.00
04	4.00	2.80	3.60	2.00
05	3.50	2.80	3.25	2.00

No.	A	B	C	H
06	4.00	2.80	2.50	2.00
07	4.00	2.80	3.25	1.50
08	6.00	4.60	4.00	2.00
09	3.50	3.00	3.75	1.50
10	6.00	3.00	4.40	2.00
11	4.70	2.80	2.50	2.00

SPECIFICATION

- * Current Rating: 1 A
- * Withstanding Voltage: 600 VAC (1 min.)
- * Insulation Resistance: 1000 Megohms MIN.
- * Contact Resistance: 30 Milliohms MAX.
- * Operating Temperature: -40°C to +85°C
- * Retention Force: 600g MIN.

MATERIAL

- * Contact: BRASS
- * Insulator: PBT + 30% G.F.
- * Plating: All Gold



钰满荣企业股份有限公司 ACMELUX CO., LTD.

TEL.:886-2-85124595

FAX:886-2-85124322

0.0±0.30	SCALE: 1:1	TITLE:
0.00±0.20	UNIT: mm	Pitch 2.00X2.00mm (0.79"±0.079")
0.000±0.1		Dual Row Pin Header Connector

PART NO:

APP BY: Hung

CHK BY: Cheryl



MATL: RoHS (PBT)

DR BY: Amos

DWG. NO. C11324XXXXXX