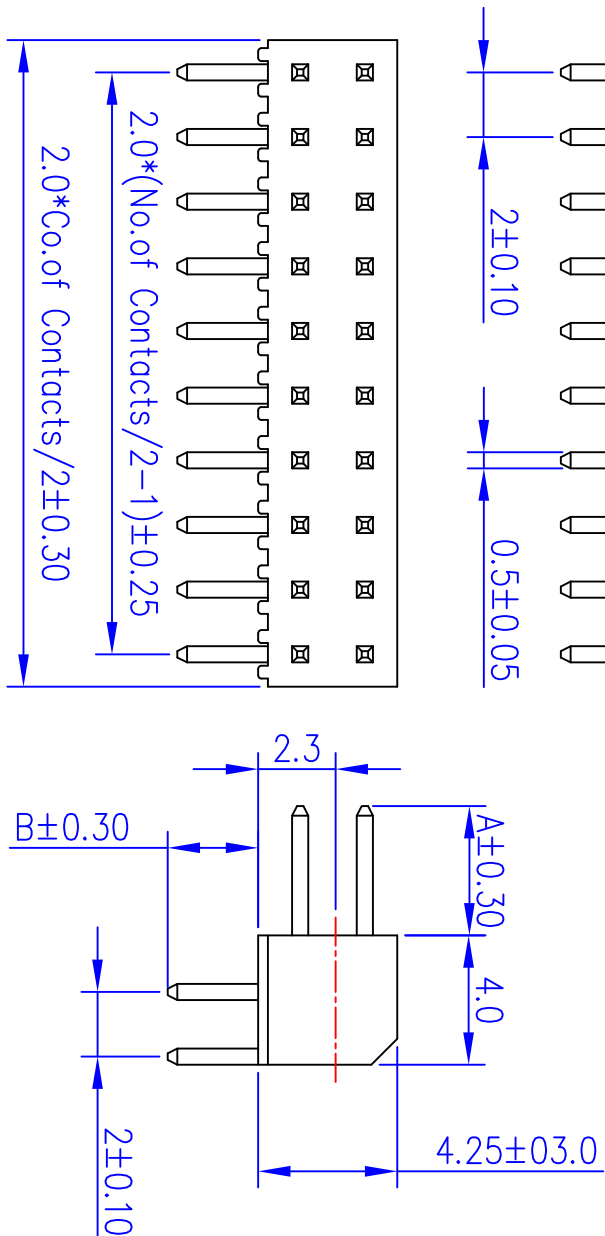
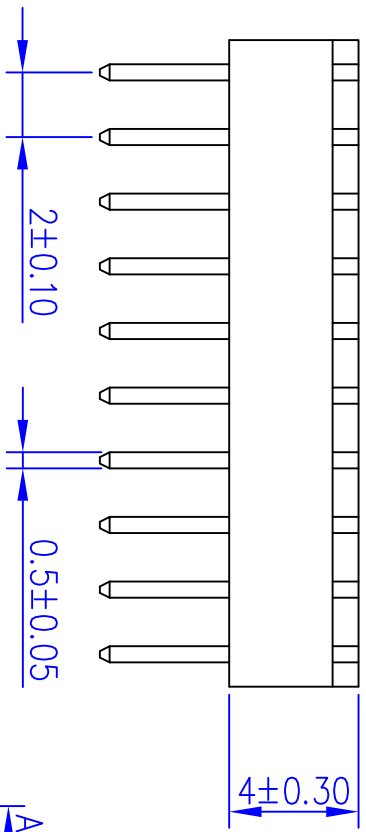


CUSTOMER COPY

REV.	DESCRIPTION	APP.	DATE
A	NEW DESIGN	Amos	2010-06-22

ORDER INFORMATION

113 18 XX XX X
 3:Plating Gold Flash
 No. of Contact (04 ~ 80)
 Pin Chart
 Dual Rows Type



SPECIFICATION

- * Current Rating: 2 A
- * Withstanding Voltage: 500 VAC
- * Insulation Resistance: 5000 Megohms MIN.
- * Contact Resistance: 20 Milliohms Max.
- * Operating Temperature: -55°C to +105°C
- * Contact: Phosphor BRASS
- * Insulator: High Temperature Plastic
- * Plating: Gold/Tin over Nickel

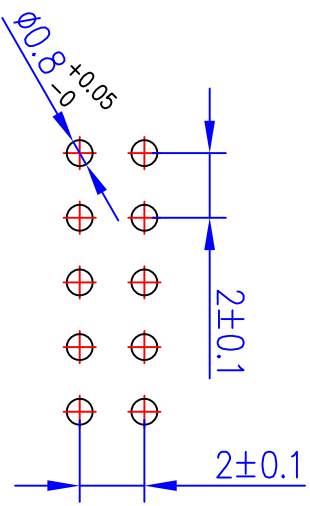


钰满棠企业股份有限公司 ACMELUX CO., LTD.
 TEL:886-2-85124595 FAX:886-2-85124322

0.0±0.30	Scale: 1:1	Title:	PART NO:
0.00±0.20	Unit: mm	Pitch 2.0*2.0mm Dual Rows Type	110600
0.000±0.1		Pin Header Connector	APP BY: Hung
		Material: RoHS	CHK BY: Cheryl
		DWG. NO. C11318XXXXXX	DR BY: Amos

Pin Chart

No.	A	B
00	4.00	2.80
01	3.00	3.00
52		
53		



Recommended P.C. Board Hole Layout

